



## CBI DD-Frame High Amp Standard Range

**Very compact and reliable DC hydraulic magnetic circuit breaker**

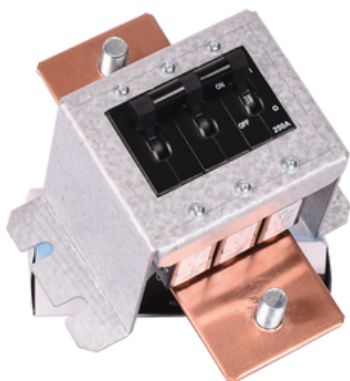
Ideal for battery applications, power supplies and distribution for larger loads in DC branch protection. The CBI DD-frame High Amp Standard range is a modular circuit breaker with rated current 40A-400A with a certified 10kA breaking capacity and a tested breaking capacity up to 25kA.

All CBI DD-frame High Amp Standard Range breakers have gold plated auxiliary switches for easy electric reading of switching status and maximum reliability of your system over time.

The DD-Frame circuit breakers are IEC, UL and CCC-approved.

### Paralleled solutions

The DD-frame High Amp standard range are certified for used in paralleled- busbar systems. We have a wide range of standard solutions available and can as well design your specific current distribution busbar and mounting bracket.



**emcomi**  
EQUIPMENT FOR HARSH ENVIRONMENT

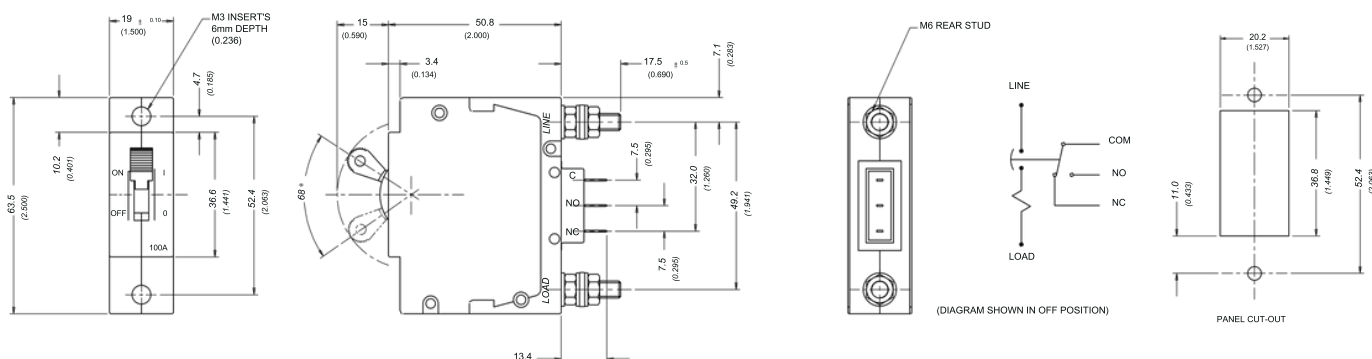
**CBI electric**  
Europe

## Battery breaker 1 module width 40-100A

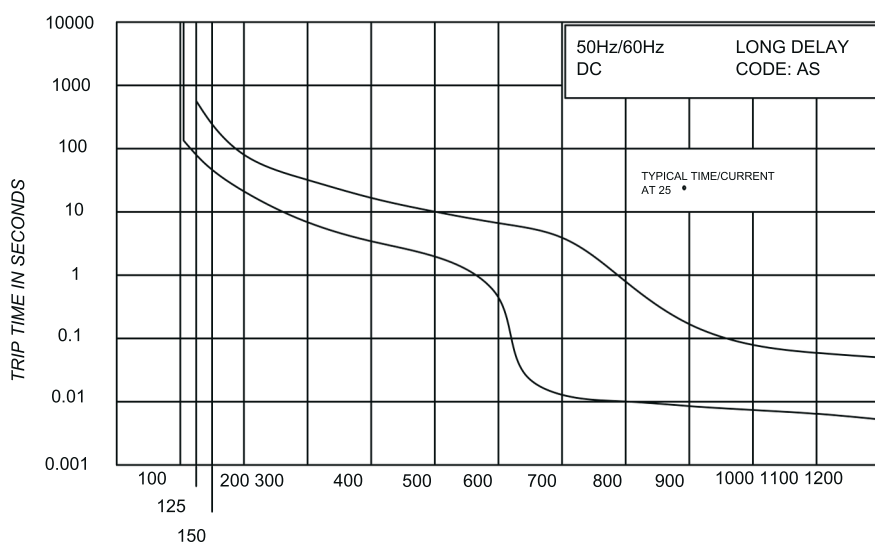
Item No	Voltage Range	Rated Current
DDABM0326	12-80VDC	40A
DDABM0181	12-80VDC	60A
DDABM0307	12-80VDC	80A
DDABM0198	12-80VDC	100A



### Dimensions



### Long Time delay, AS



### Percentage of rated current

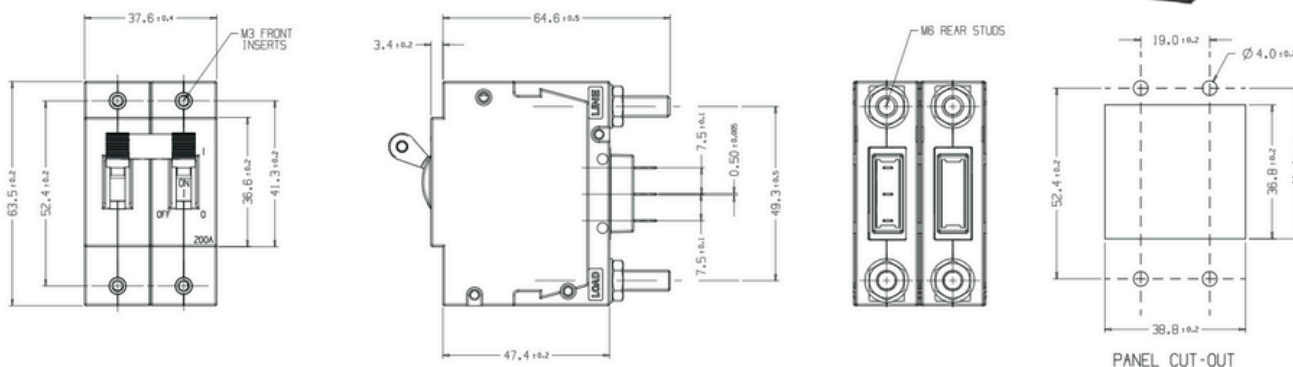
PERCENTAGE OF RATED CURRENT	100 %	125 %	200 %	400 %	600 %	800 %	1000 %	1200 %
MINIMUM TRIP TIME IN SECONDS	NO TRIP	80	21	3.5	0.45	0.01	0.0075	0.005
MAXIMUM TRIP TIME IN SECONDS	NO TRIP	560	80	17	6.8	0.8	0.08	0.05

## Battery breaker 2 module width 125-200A

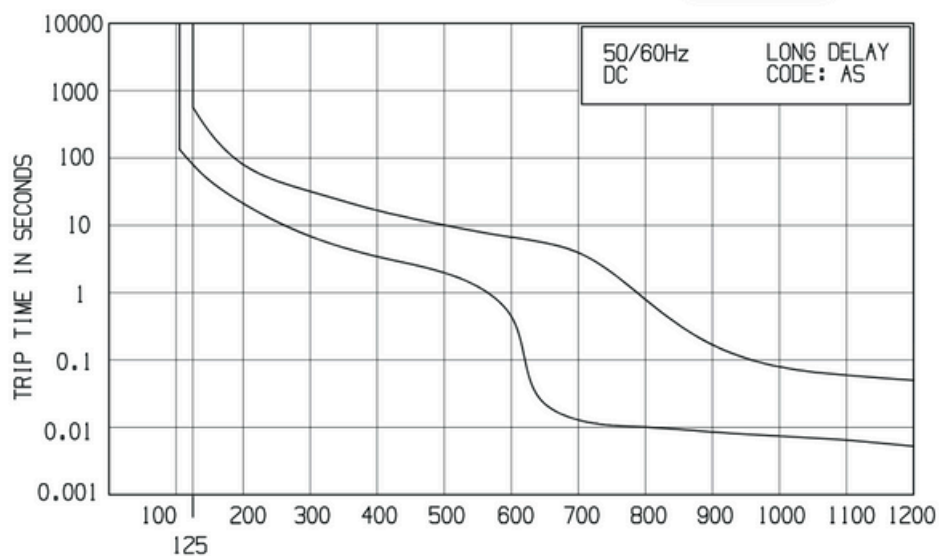
Item No	Voltage Range	Rated Current
D2ABXA0510	12-80VDC	125A
D2ABXA0085	12-80VDC	150A
DDABM0178	12-80VDC	200A



### Dimensions



### Long Time delay, AS



### Percentage of rated current

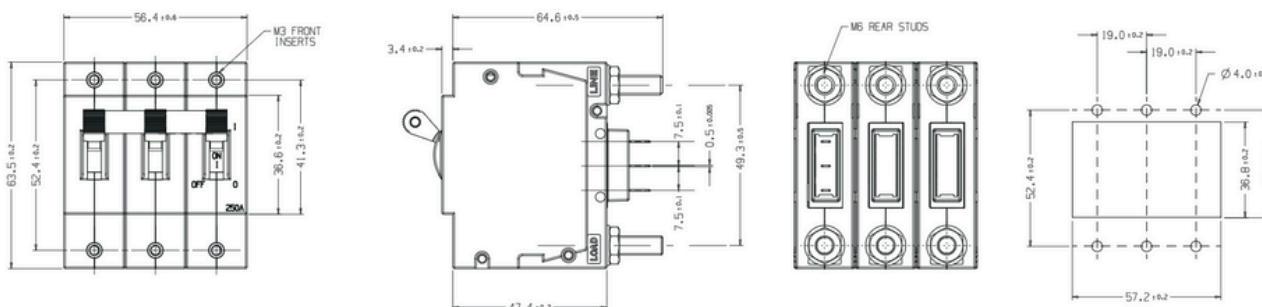
PERCENTAGE OF RATED CURRENT	100 %	125 %	200 %	400 %	600 %	800 %	1000 %	1200 %
MINIMUM TRIP TIME IN SECONDS	NO TRIP	80	21	3.5	0.45	0.01	0.0075	0.005
MAXIMUM TRIP TIME IN SECONDS	NO TRIP	560	80	17	6.8	0.8	0.08	0.05

## Battery breaker 2 module width 125-200A

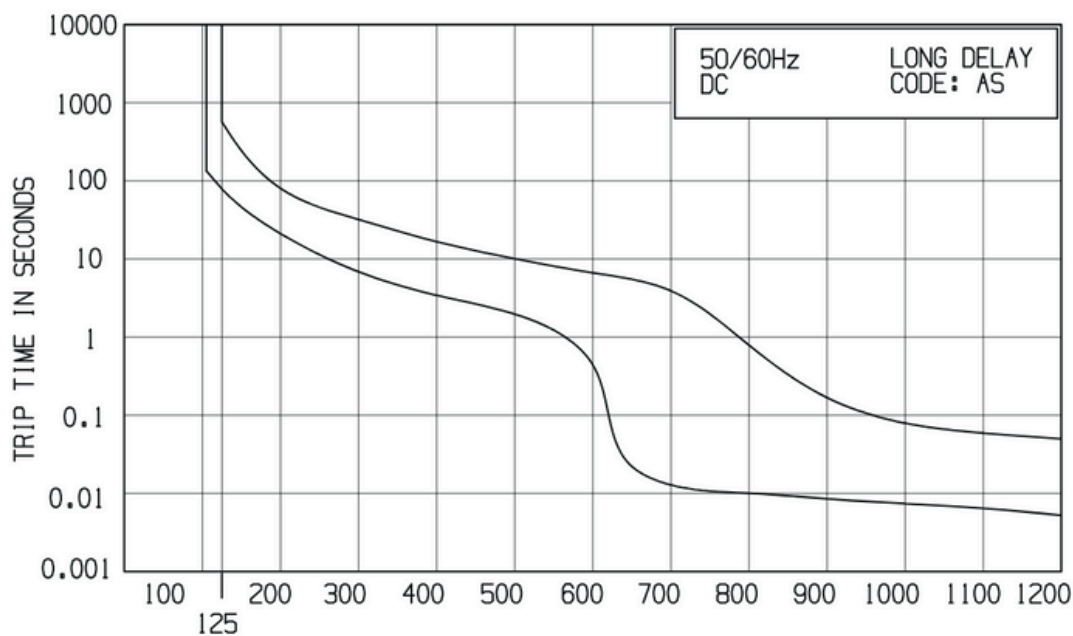
Item No	Voltage Range	Rated Current
DDABM0286	12-80VDC	250A



### Dimensions



### Long Time delay, AS



### Percentage of rated current

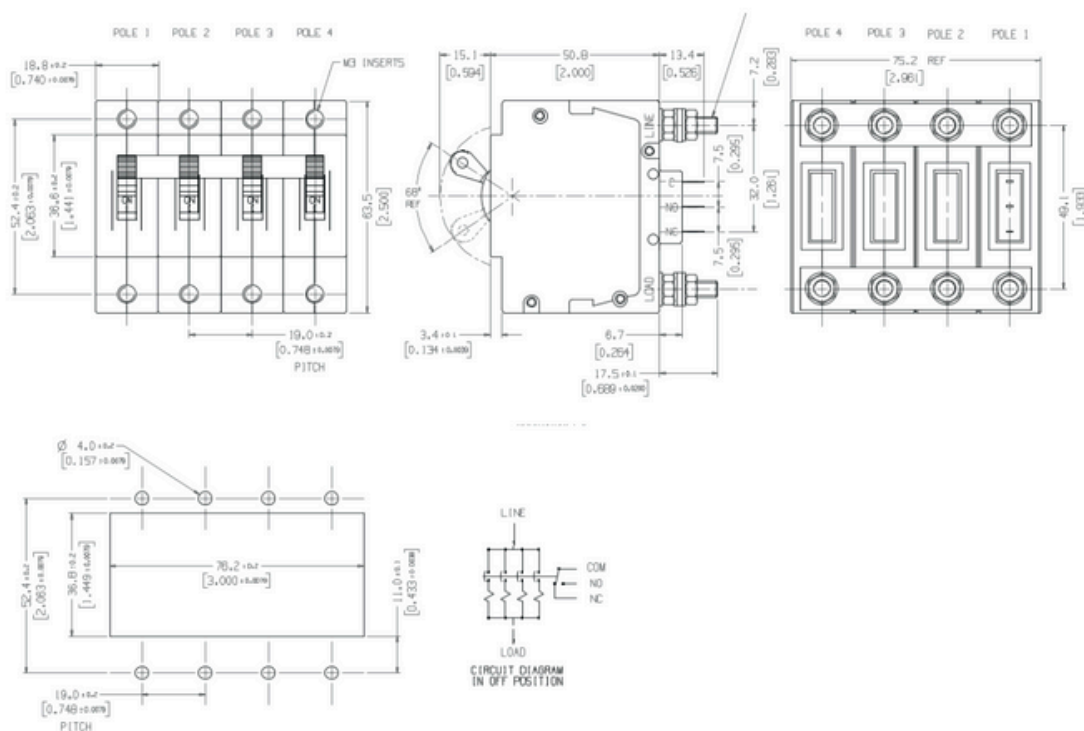
PERCENTAGE OF RATED CURRENT	100 %	125 %	200 %	400 %	600 %	800 %	1000 %	1200 %
MINIMUM TRIP TIME IN SECONDS	NO TRIP	80	21	3.5	0.45	0.01	0.0075	0.005
MAXIMUM TRIP TIME IN SECONDS	NO TRIP	560	80	17	6.8	0.8	0.08	0.05

# Battery breaker 4 module width 300A

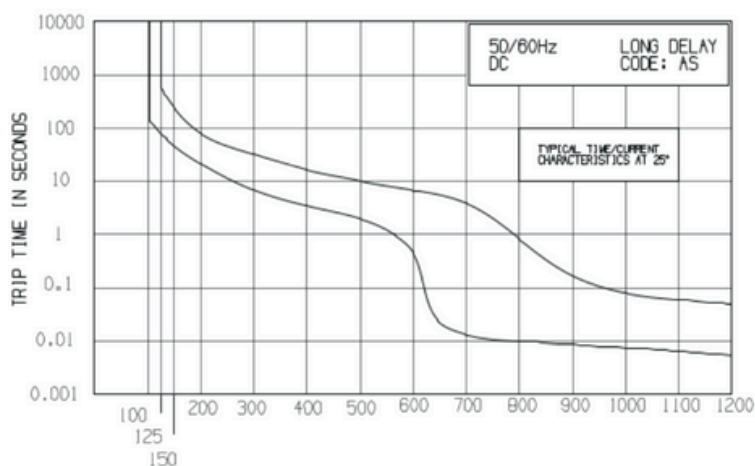
Item No	Voltage Range	Rated Current
D2AKXA0194	12-80VDC	300A



## Dimensions



## Long Time delay, AS



## Percentage of rated current

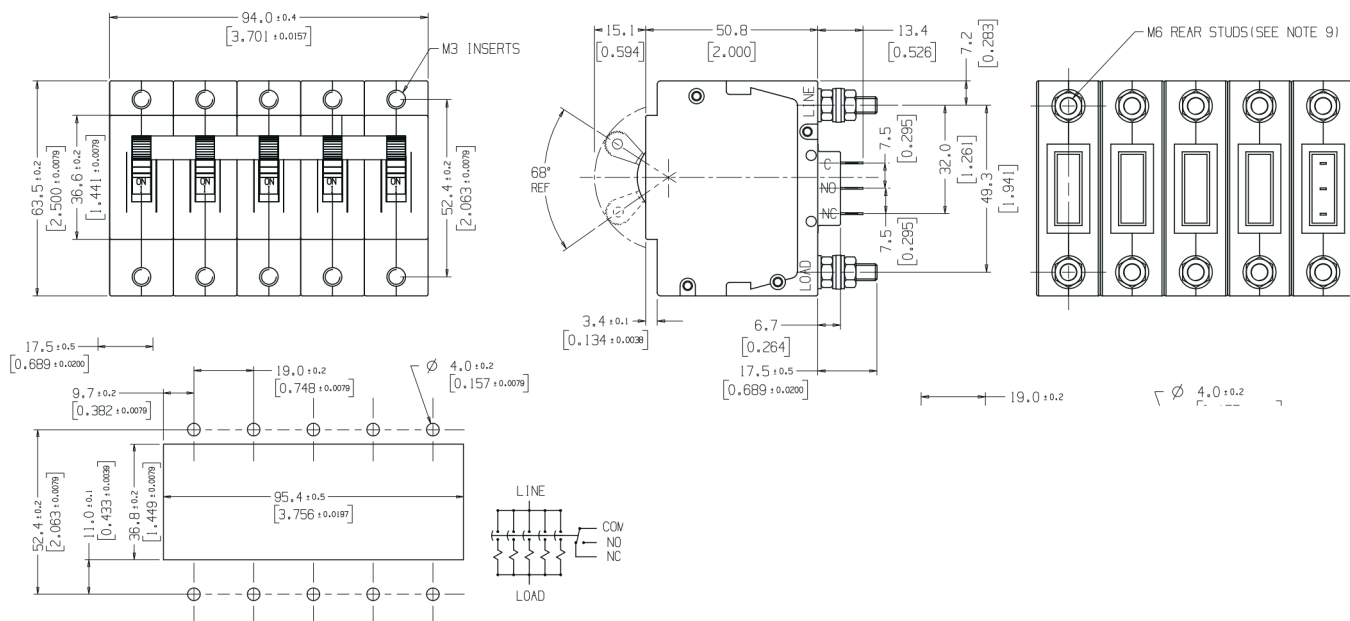
PERCENTAGE OF RATED CURRENT	100 %	125 %	200 %	400 %	600 %	800 %	1000 %	1200 %
MINIMUM TRIP TIME IN SECONDS	NO TRIP	80	21	3.5	0.45	0.01	0.0075	0.005
MAXIMUM TRIP TIME IN SECONDS	NO TRIP	560	80	17	6.8	0.8	0.08	0.05

# Battery breaker 5 module width 400A

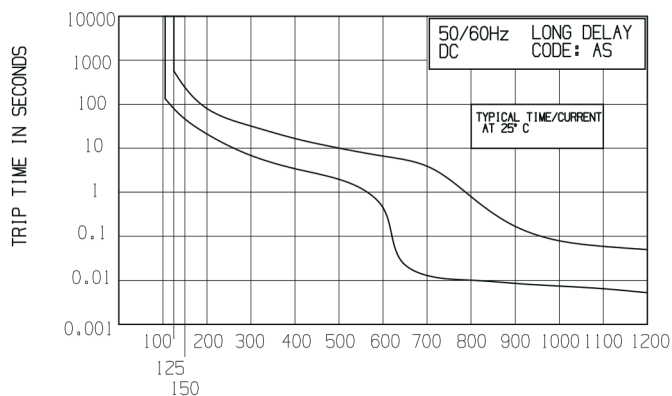
Item No	Voltage Range	Rated Current
D2AKXA0195	12-80VDC	400A



## Dimensions



## Long Time delay, AS



## Percentage of rated current

PERCENTAGE OF RATED CURRENT	100 %	125 %	200 %	400 %	600 %	800 %	1000 %	1200 %
MINIMUM TRIP TIME IN SECONDS	NO TRIP	80	21	3.5	0.45	0.01	0.0075	0.005
MAXIMUM TRIP TIME IN SECONDS	NO TRIP	560	80	17	6.8	0.8	0.08	0.05



**Emcomp International AB**

**info@emcomp.se - www.emcomp-international.com**