



QDC49U2250B0X001
w. EC12205-2



QY49U2200
w. EC11471-4

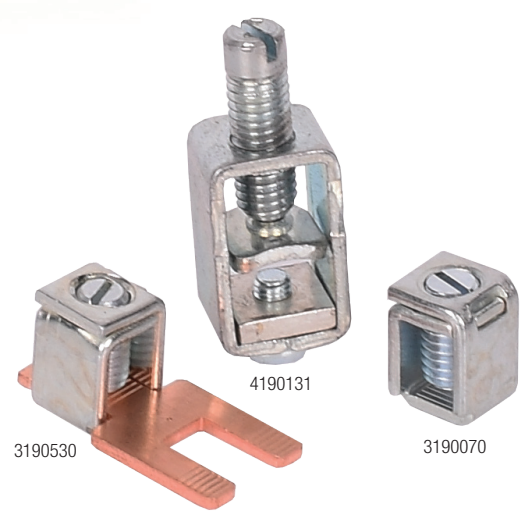


QYD38U2150B0
w. EC12231-3

CBI Q-Series Accessories Busbar links


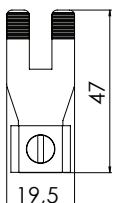
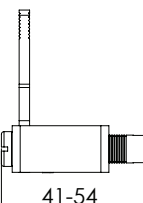
Emcomp's paralleling busbar links are especially developed for paralleling CBI QY(13) Series 80A-200A and QDC(19) 250A MCB for DC applications.


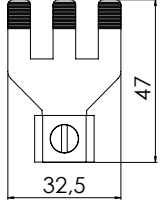
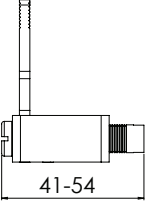
The busbar links enable fast and reliable paralleling which shorten design time and saves cost in installation.

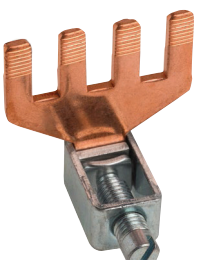
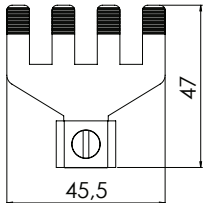
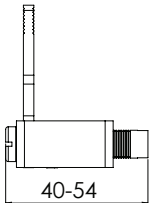


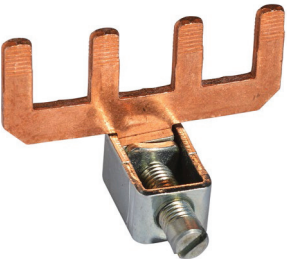
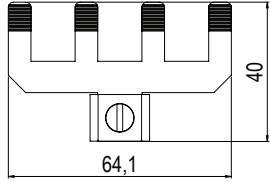
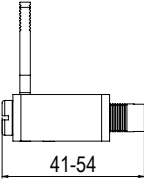
EMCOMP

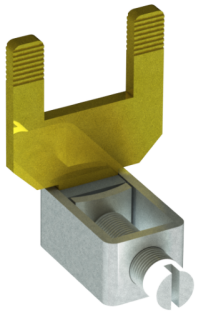
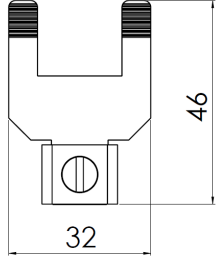
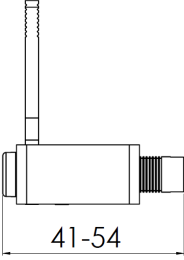
STRAIGHT CONNECTION POINT OPEN END CABLE

| Description | Data | Dimensions |
|---------------------|-----------------------|---|
| MCB-type | QY-2(13) |    |
| Rated Current | 125A | |
| Cross Section | 10-70 mm ² | |
| Torque | Max 4,5 Nm | |
| Item No | | |
| Bare Copper | EC11471-2 | |
| Tin electro plating | EC11471-20 | |

| Description | Data | Dimensions |
|---------------------|-----------------------|---|
| MCB-type | QY-3(13) |    |
| Rated Current | 150A | |
| Cross Section | 10-70 mm ² | |
| Torque | Max 4,5 Nm | |
| Item No | | |
| Bare Copper | EC11471-3 (3191000) | |
| Tin electro plating | EC11471-30 | |

| Description | Data | Dimensions |
|---------------------|-----------------------|---|
| MCB-type | QY-4(13) |    |
| Rated Current | 200A | |
| Cross Section | 10-70 mm ² | |
| Torque | Max 4,5 Nm | |
| Item No | | |
| Bare Copper | EC11471-4 | |
| Tin electro plating | EC11471-40 | |

| Description | Data | Dimensions |
|---------------------|-----------------------|--|
| MCB-type | QDC-4(19) |    |
| Rated Current | 250A | |
| Cross Section | 10-70 mm ² | |
| Torque | Max 4,5 Nm | |
| Item No | | |
| Bare Copper | EC12205-2 | |
| Tin electro plating | EC12205-20 | |

| Description | Data | Dimensions |
|---------------------|-----------------------|--|
| MCB-type | QT-2(26) |    |
| Rated Current | 250A | |
| Cross Section | 10-70 mm ² | |
| Torque | Max 4,5 Nm | |
| Item No | | |
| Bare Copper | EC203401-2 | |
| Tin electro plating | EC203401-20 | |

STRAIGHT CONNECTION POINT OPEN END CABLE, max 35 mm²

| Description | Data | Dimensions |
|---------------|--------------------|------------|
| MCB-type | OY-2(13) | |
| Rated Current | 125A | |
| Cross Section | <35mm ² | |
| Torque | max 4,5 Nm | |
| Item No | 3190530 | |

| Description | Data | Dimensions |
|---------------|--------------------|------------|
| MCB-type | OY-3(13) | |
| Rated Current | 125A | |
| Cross Section | <35mm ² | |
| Torque | max 4,5 Nm | |
| Item No | EC165102-3 | |

CONNECTION TERMINALS FOR OPEN END CABLE

| Description | Data | Dimensions |
|---------------|--------------------|------------|
| MCB-type | - | |
| Rated Current | - | |
| Cross Section | <35mm ² | |
| Torque | max 4,5 Nm | |
| Item No | 3190070 | |

| Description | Data | Dimensions |
|---------------|-----------------------------------|------------|
| MCB-type | - | |
| Rated Current | - | |
| Cross Section | 10-70mm ² cable | |
| Torque | max 4,5 Nm | |
| Item No | 4190131 | |
| Included | bottom screw and square washer | |

RIGHT ANGLED CONNECTION POINT OPEN END CABLE

| Description | Data | Dimensions |
|---------------------|-----------------------|------------|
| MCB-type | QY-2(13) | |
| Rated Current | 125A | |
| Cross Section | 10-70 mm ² | |
| Torque | Max 4,5 Nm | |
| Item No | | |
| Bare Copper | EC12231-2 | |
| Tin electro plating | EC12231-20 | |

| Description | Data | Dimensions |
|---------------------|-----------------------|------------|
| MCB-type | QY-3(13) | |
| Rated Current | 150A | |
| Cross Section | 10-70 mm ² | |
| Torque | Max 4,5 Nm | |
| Item No | | |
| Bare Copper | EC12231-3 | |
| Tin electro plating | EC12231-30 | |

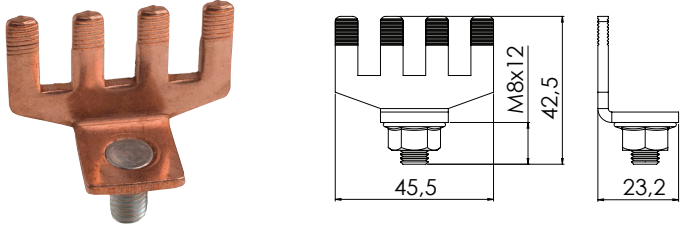
| Description | Data | Dimensions |
|---------------------|-----------------------|------------|
| MCB-type | QY-4(13) | |
| Rated Current | 200A | |
| Cross Section | 10-70 mm ² | |
| Torque | Max 4,5 Nm | |
| Item No | | |
| Bare Copper | EC12231-4 | |
| Tin electro plating | EC12231-40 | |



RIGHT ANGLED CONNECTION POINT STUD CONNECTION FOR CABLE LUG

| Description | Data | Dimensions |
|---------------------|------------|--|
| MCB-type | QY-2(13) |  |
| Rated Current | 125A | |
| Cable connection | M8 | |
| Torque | Max 4,5 Nm | |
| Item No | | |
| Bare Copper | EC11472-2 | |
| Tin electro plating | EC11472-20 | |

| Description | Data | Dimensions |
|---------------------|------------|---|
| MCB-type | QY-3(13) |  |
| Rated Current | 150A | |
| Cable connection | M8 | |
| Torque | Max 4,5 Nm | |
| Item No | | |
| Bare Copper | EC11472-3 | |
| Tin electro plating | EC11472-30 | |

| Description | Data | Dimensions |
|---------------------|------------|--|
| MCB-type | QY-4(13) |  |
| Rated Current | 200A | |
| Cable connection | M8 | |
| Torque | Max 4,5 Nm | |
| Item No | | |
| Bare Copper | EC11472-4 | |
| Tin electro plating | EC11472-40 | |

EXTENDED STUD CONNECTION FOR CABLE LUG

| Description | Data | Dimensions |
|---------------------|-------------|------------|
| MCB-type | QY-1(13) | |
| Rated Current | 63A | |
| Cable connection | M6 | |
| Torque | Max 2,5 Nm | |
| Item No | | |
| Bare Copper | EC123101-1 | |
| Tin electro plating | EC123101-10 | |

| Description | Data | Dimensions |
|---------------------|-------------|------------|
| MCB-type | QY-2(13) | |
| Rated Current | 125A | |
| Cable connection | M8 | |
| Torque | Max 2,5 Nm | |
| Item No | | |
| Bare Copper | EC123101-2 | |
| Tin electro plating | EC123101-20 | |

| Description | Data | Dimensions |
|---------------------|-------------|------------|
| MCB-type | QY-3(13) | |
| Rated Current | 150A | |
| Cable connection | M8 | |
| Torque | Max 4,5 Nm | |
| Item No | | |
| Bare Copper | EC123101-3 | |
| Tin electro plating | EC123101-30 | |

| Description | Data | Dimensions |
|---------------------|-------------|------------|
| MCB-type | QY-4(13) | |
| Rated Current | 200A | |
| Cable connection | M8 | |
| Torque | Max 4,5 Nm | |
| Item No | | |
| Bare Copper | EC123101-4 | |
| Tin electro plating | EC123101-40 | |

STRAIGHT CONNECTION POINT FOR CABLE LUG

| Description | Data | Dimensions |
|---------------------|-------------|------------|
| MCB-type | QDC-4(19) | |
| Rated Current | 250A | |
| Cable connection | M8 | |
| Torque | Max 4,5 Nm | |
| Item No | | |
| Bare Copper | EC152503-4 | |
| Tin electro plating | EC152503-40 | |



Our other Products and Services



Circuit Breakers



Busbars



Cables/Connectors



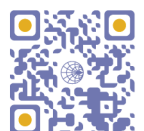
Customised Solutions



Protection Boots IP66/IP68

Contact us for more information

Emcomp International AB
info@emcomp.se
www.emcomp.international.com



EMCOMP