

Technical Data Sheet

Flushing Mounting Switchgear Range

CDPD114
Issue 3

Flush Mounting Enclosed Switchgear

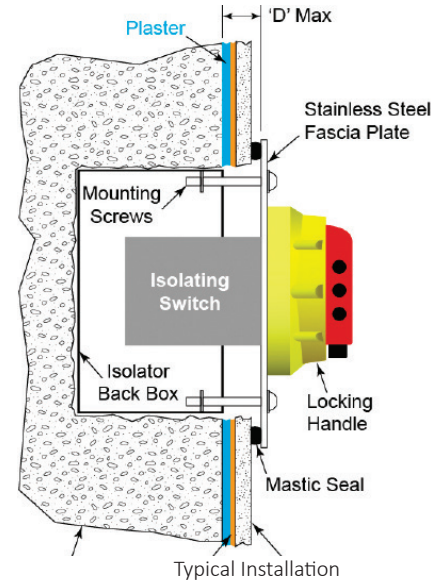
A range of flush mounting isolation equipment ranging 20A to 63A, supplied with a sheet steel back box and stainless steel fascia plate sealed up to IP65. All units are supplied with a handle manufactured from a material suitable to withstand cleaning products containing sodium hydroxide. Suitable for installation in kitchens, laboratories, food processing areas, hospitals and many other areas.

Installation

Whilst the joint between the isolating switch and the stainless steel fascia plate is factory sealed to IP65 min, when installed, the fascia to mounting surface seal is the responsibility of the installer.

To maintain the sealing overall, an efficient bond must be made using some form of gasketing material. This is particularly vital on tiled surfaces where grout lines can channel moisture down the wall.

A continuous bead of moisture resistant mastic is a simple way of providing a seal, and can improve the appearance of the final assembly on an uneven surface.



Switch-Disconnectors (O-I)									
Image	Rating	Interior Switch	Format	Cat. No.	IP Rating	Encl. Size	Fascia plate Material	Back Box Material	Cable Entries
	20A	GX20	2P	SDFL202	Isolating switch to stainless steel fascia plate IP65	A	Brushed Stainless Steel Grade 304	Zinc Plated Sheet Steel	Knockouts in back box
			3P	SDFL203					
			4P	SDFL204					
	32A	GX32	2P	SDFL322	Isolating switch to stainless steel fascia plate IP65	B	Brushed Stainless Steel Grade 304	Zinc Plated Sheet Steel	Knockouts in back box
			3P	SDFL323					
			4P	SDFL324					
	40A	GX40	2P	SDFL402	Isolating switch to stainless steel fascia plate IP65	B	Brushed Stainless Steel Grade 304	Zinc Plated Sheet Steel	Knockouts in back box
			3P	SDFL403					
			4P	SDFL404					
	63A	GN63	2P	SDFL632	Isolating switch to stainless steel fascia plate IP65	C	Brushed Stainless Steel Grade 304	Zinc Plated Sheet Steel	Knockouts in back box
			3P	SDFL633					
			4P	SDFL634					

Technical Data Sheet

Flushing Mounting Switchgear Range

CDPD114
Issue 3





Fixed Lid Accessories

All of the accessories listed below can be retrofitted. One block can be fitted either side of the main assembly on all of the 3 pole Switch-Disconnecter interiors.

Description	Cat. No.
Auxiliary Contact- 2 Early Break	SAUX2EB
Auxiliary Contact- 1 N/O + 1 N/C	SAUXCO
25A- 40A Compact Neutral (Unswitched)	SNLC40
63A Neutral (Unswitched)	SNL63
25A Neutral (Switched)	SSP25
40A Neutral (Switched)	SSP40
63A Neutral (Switched)	SSP63

Technical Specification

Data supplied against tests to IEC/BS EN 60947-3

Application	Sym	Unit	Category	20A	32A	40A	63A
Interior Switch		-		GX20	GX32	GX40	GN63
Rated thermal current	I_{the}	A		20	32	40	63
Rated insulation voltage	U_i	V		690	690	690	690
Rated impulse voltage	U_{imp}	kV		6	6	6	6
Rated operational Current	I_e	A	400V- AC23A (3 phase AC 50/60Hz)	15	32	35	60
Rated operational power (Single phase)		kW	230V- AC23	-	-	-	-
Rated operational power (Three phase)		kW	380/440- AC23	7.5	15	18.5	30
			500V- AC23	7.5	15	15	30
			690V- AC23	7.5	15	15	30
Rated short time withstand current	I_{cw}	A	1 Sec	250	800	800	1600
Max. fuse size for short circuit protection (gG Characteristic)		kA	10kA	20	35	40	63
			25kA	16	35	35	63
			50kA	-	-	-	63
Recommended connecting capacity		-	Terminal type				
		mm ²	Flexible cable	2.5 x 2	6 x 2	6 x 2	10
		mm ²	Rigid cable	2.5 x 2	10 x 2	10 x 2	16
		Nm	Tightening torque	1.0	1.0	1.0	1.2

Dimensions

